

RFID антенна UHF LEONIX GFG06B, 6dBi

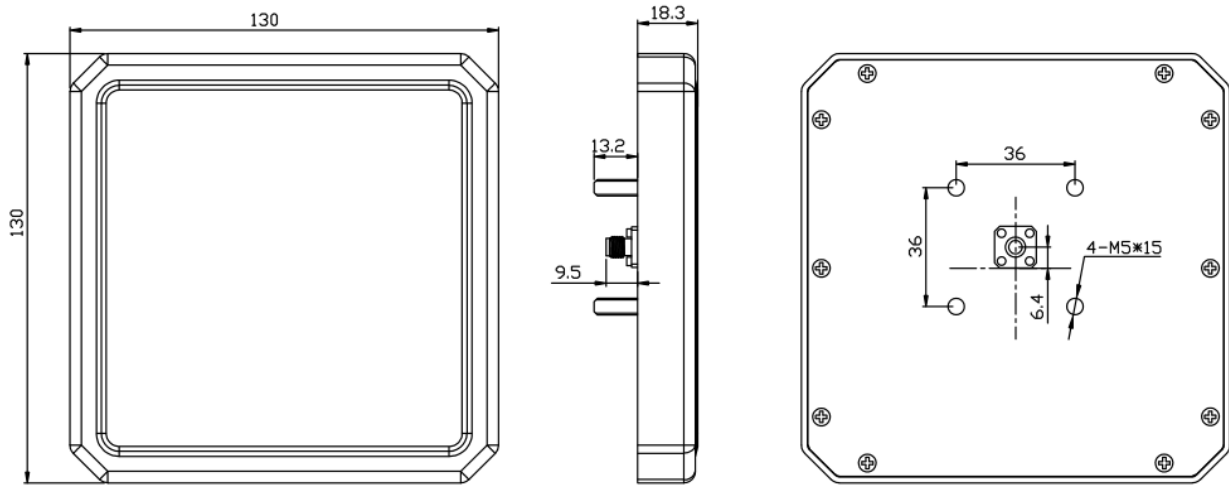
Model: LNX-ANGFG06B



Specification

Electrical Specifications	
Frequency	840-960MHz
Gain	6dBi
Polarization	Circular
Beam Width(°)	Hor:106°/ Ver:106°
VSWR	≤1.3
Impedance	50Ω
Axial ratio(dB)	≤2dB
Mechanical Specifications	
Connector	SMA-K
Antenna Size	130*130*18mm
Net Weight	0.6kg
Effective Wind Load Area (m ²)	≤0.2
Radiation Material	F4B high frequency board/ Nickel-plated copper
Radome Material	PC
Radome Color	White
Rating	/
Operation Temperature	-40 ~ 55°

Dimension:



Radiation Drawing:

