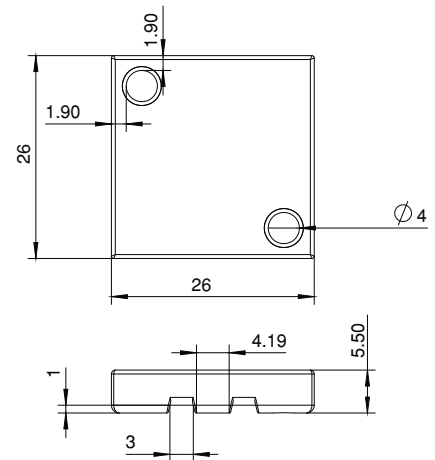




This RFID tag is designed to meet the challenges associated with industrial, automotive and medical laboratory applications where resistance to moisture and solvents are a must. Rhino HT-HTP 2626 are acid and base-resistant tags and work well in the environments that are exposed to mineral oil, petroleum, salt mist, vegetable oil, etc. With a rugged encapsulation, this RAIN (UHF) RFID tag is ready for deployment in a variety of applications without compromising read range performance.

PHYSICAL SPECIFICATION

Tag Material	PPS
Tag Dimensions	26 x 26 x 5.5mm, (Hole: D 4mm x 2) 1.02 x 1.02 x 0.21in, (Hole: D 0.16in x 2)
Mounting Method	Screw
Weight	6.5 gms
Delivery Format	Single Pieces



RF SPECIFICATION

Mode of Operation	Passive
Device Type	Plastic Hard Tag
Air Interface Protocol	EPC Class1 Gen2, ISO18000-6C
Operational Frequency	(US) 902-928MHz, (EU) 865-868MHz
IC Type	Alien Higgs 3
Memory Configuration	EPC 96bits (Up to 480bits) , USER 512bits, TID64bits
Write Cycle Endurance	100,000
Data Retention	Upto 50 years
Applicable Surface Materials	Metallic surfaces
Read Range (Fixed Reader)	ETSI : On metal upto 2.5 m FCC : On metal upto 2.5 m

ENVIRONMENTAL RESISTANCE

Operating Temperature	-40°C to +100°C / -40°F to +212°F
Withstands Exposure To	-40°C to +150°C / -40°F to 302°F
Peak Temperature	+150°C / +302°F
Recommended Application Temperature	+10°C to +38°C / 50°F to +100.4°F
Water Resistance (IP Rating)	IP68
Ideal Storage Condition	-40°C to +150°C / -40°F to 302°F
Expected Lifetime	Years in normal operating conditions

PRODUCT INSTALLATION



The tag can be attached to the surface using the following fixing methods

- **Mechanical Fixing:**
Achieved by using a screw and is a recommended for environments that involve high mechanical stress. During fixing make sure there is no air gap left in between the metal surface and tag.

PERSONALIZATION OPTIONS

Pre-encoding

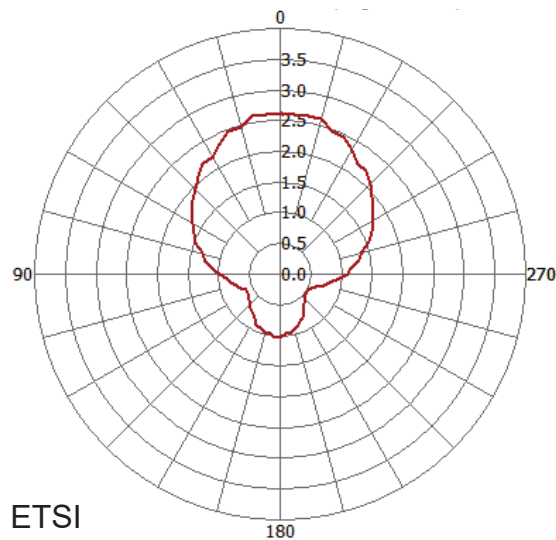
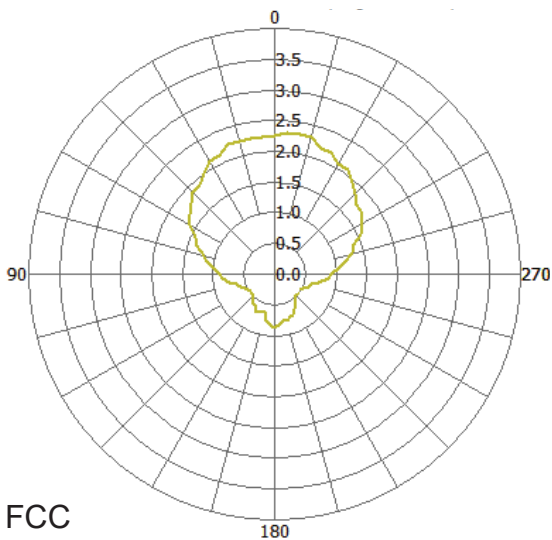
- Customer specific encoding of EPC

ORDER INFORMATION

Part Number

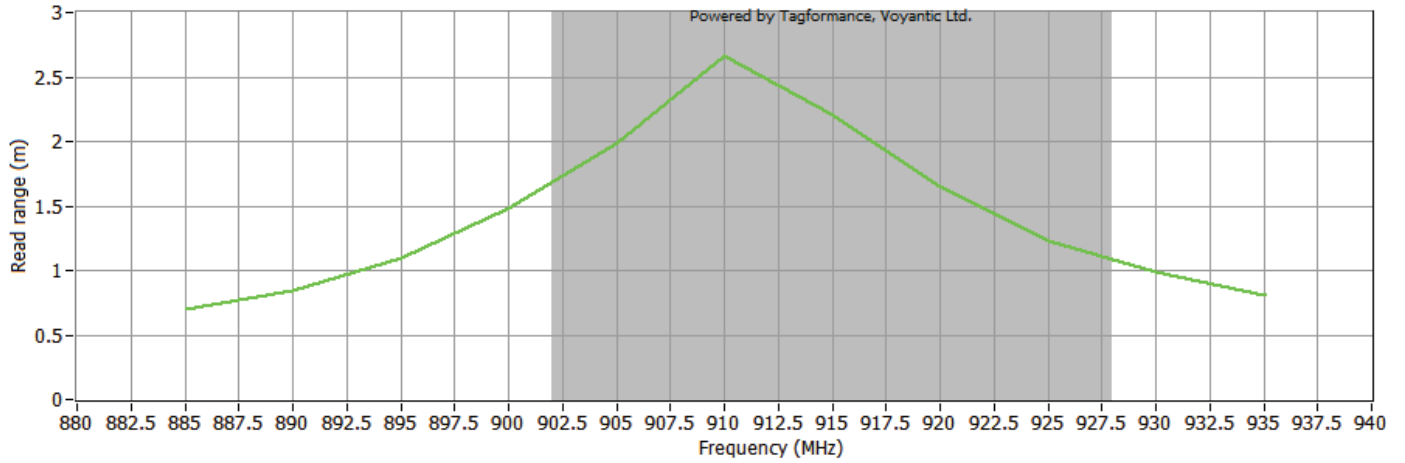
- RF.HT-HTP.2626.ETSI.H3
- RF.HT-HTP.2626.FCC.H3

RADIATION PATTERN (ETSI & FCC)

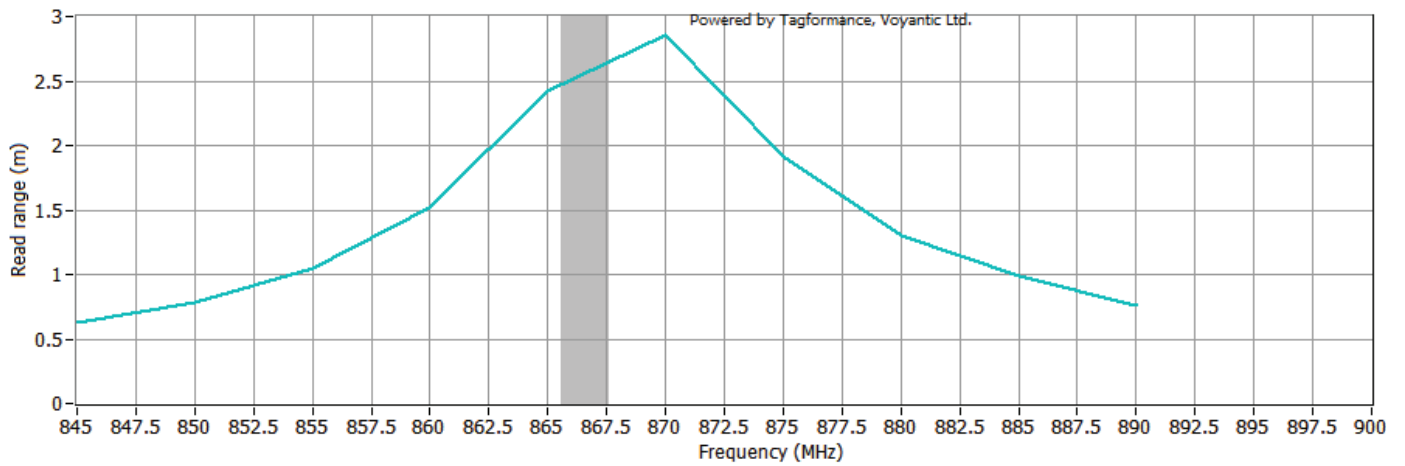


READ RANGE GRAPH (ETSI & FCC)

FCC



ETSI



** The indicated read range values are measured in our laboratory testing environment, where antennas with optimum directivity are used with maximum allowed operating power. Different surface materials and environments may exhibit different results.



Version : 180221.01