



# ALR-F3700 “HYDRA” SERIES

## INTERCONNECTED READER/ANTENNA COMBINATION

Hydra is a totally novel UHF Passive RFID Reader solution designed to lower RFID implementation and running costs while enabling the realization of quality read zones. Hydra readers combine a full-power 30dBm UHF reader and a 8.5dBic antenna.

### FEATURES

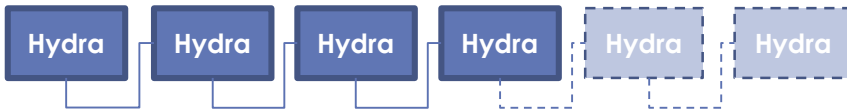
- 30dBm EPC Gen 2 Class 1 UHF Passive RFID Reader
- 8.5dBic Slimline Antenna
- Built-in Multiple-PoE Switch to Network Readers Together
- Low-Cost Reader Installation and Management
- Works seamlessly with the ALR-F800-X with Emissary

### APPLICATIONS

- Warehouse
- Dock doors
- Work in Progress
- Retail
- Commissioning Stations



### Concept of Hydra Power and Data Routing

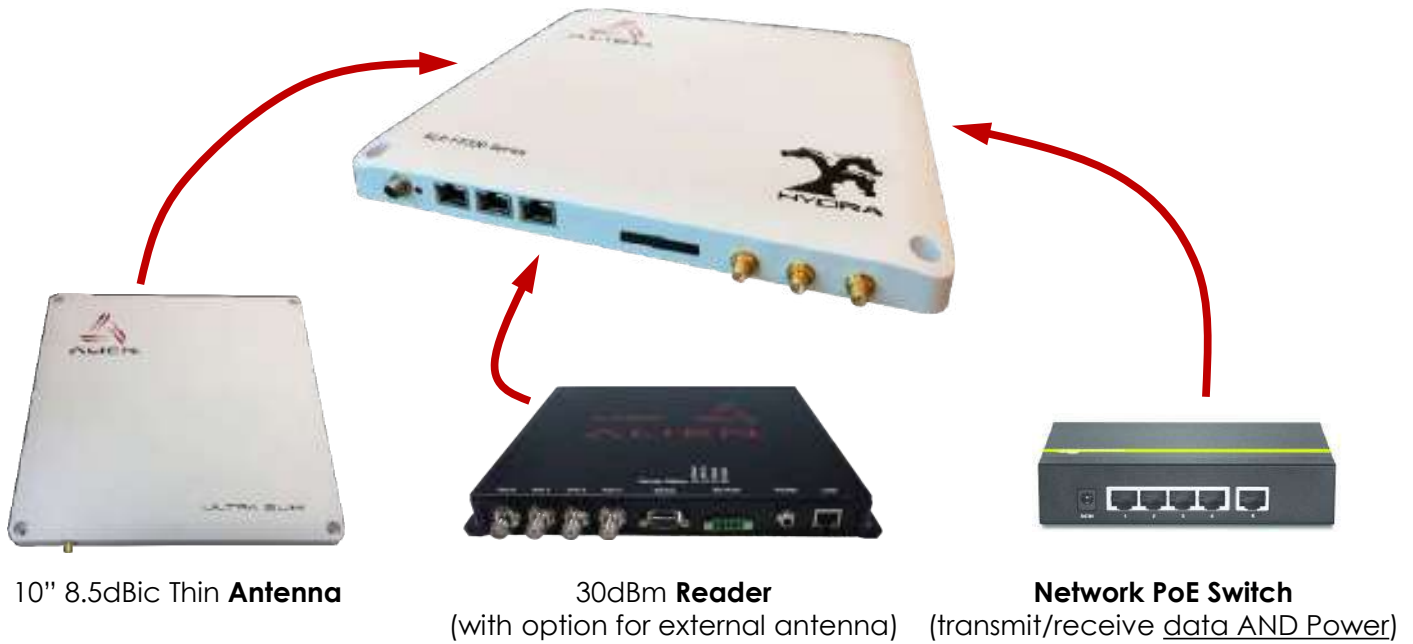


Feature	Enabled By	Benefit
<b>Lowers Implementation and Running Costs</b>	<ul style="list-style-type: none"> <li>• Low-cost read point with integrated antenna</li> <li>• Simply connect PoE for data and power</li> <li>• Just connect each reader to its nearest neighbor minimizing long cable runs.</li> </ul>	<ul style="list-style-type: none"> <li>• Less up-front cost for capital equipment</li> <li>• Smaller cable runs (less cable to purchase)</li> <li>• Less cable means less installation costs</li> </ul>
<b>Extensible Solution - grows or shrinks with your RFID needs</b>	<ul style="list-style-type: none"> <li>• Each reader inputs and outputs both power and data via Power-over-Ethernet (PoE) to the next reader.</li> <li>• Low cost per read point</li> <li>• Each reader contains an antenna</li> <li>• A poor read zone is addressed by adding another low cost read point and connecting it to its nearest neighbor for both power and data.</li> </ul>	<ul style="list-style-type: none"> <li>• Allows all desired tags to be irradiated and made visible to at least one read point.</li> <li>• Bad read zones can be fixed by “daisy-chaining” another low-cost read point without breaking the Return-on-Investment (ROI) model</li> <li>• No long cable runs for added read points</li> </ul>
<b>Massively Simplifies Network Connectivity</b>	<ul style="list-style-type: none"> <li>• PoE (power and data)</li> <li>• ALR-F3720 supports two PoE ports for daisy chaining</li> <li>• ALR-F3733<i>di</i> supports 3 PoE ports for adding more complex topologies for robustness</li> </ul>	<ul style="list-style-type: none"> <li>• Simple, low cost installation</li> <li>• Lowers infrastructure and cable costs</li> <li>• Less to maintain</li> </ul>
<b>Designed to Work Seamlessly with the ALR-F800-X with Emissary</b>	<ul style="list-style-type: none"> <li>• Like all Alien readers, Hydra’s send a self-discovery heart-beat over the network</li> <li>• F800-X with Emissary manages a subnet of Hydra readers directly</li> <li>• License free Emissary manages the network and describes the work-flow of any alien reader combination</li> </ul>	<ul style="list-style-type: none"> <li>• No need for a server to control a reader network</li> <li>• ALR-F800-X manages the Hydra network configuration and work flows...no programming required.</li> </ul>



## ALR-F3700 "Hydra" Series

Interconnected Reader/Antenna Combination

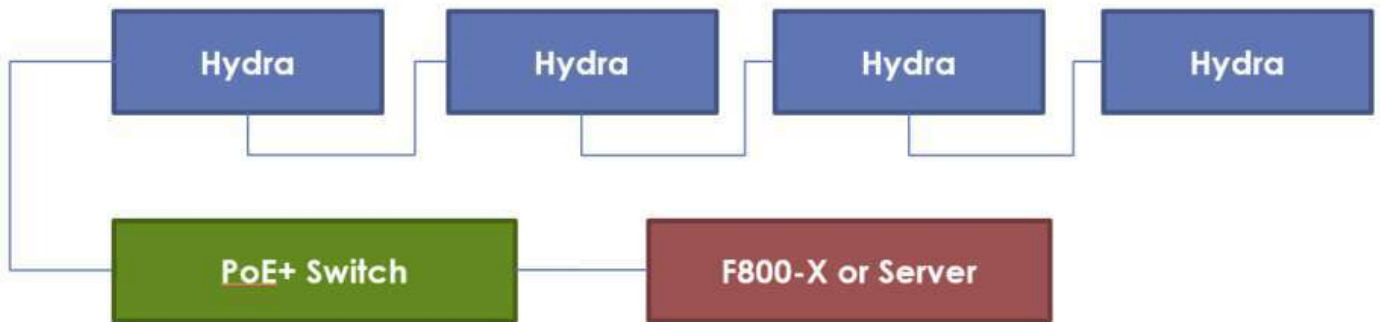


### Three Capabilities Combined

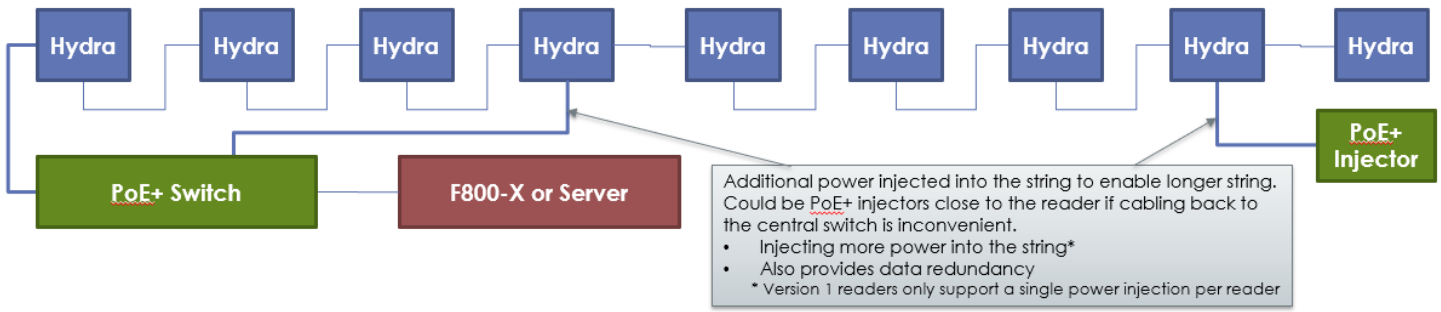
Each Hydra reader contains a full 30dBm UHF Passive RFID reader, an 8.5dBic slim-line antenna and a network PoE switch capable of passing through (backwards or forwards) data and power.

Each Hydra reader has at least 2 PoE ports allowing them to be daisy chained together into a "string" of read points by simply connecting

the PoE cable from one Hydra reader to the PoE port of the next reader. This enables very simple low cost connectivity and minimal cabling costs. In the diagram below, Hydra Readers are simply daisy chained together with an ALR-F800-X (with Emissary) or your existing PC/Server at the head of the chain of Hydra's.



**A Network of Daisy-Chained Hydra readers**



A Long Network of Hydra Readers Configured with Power Injection into the Chain

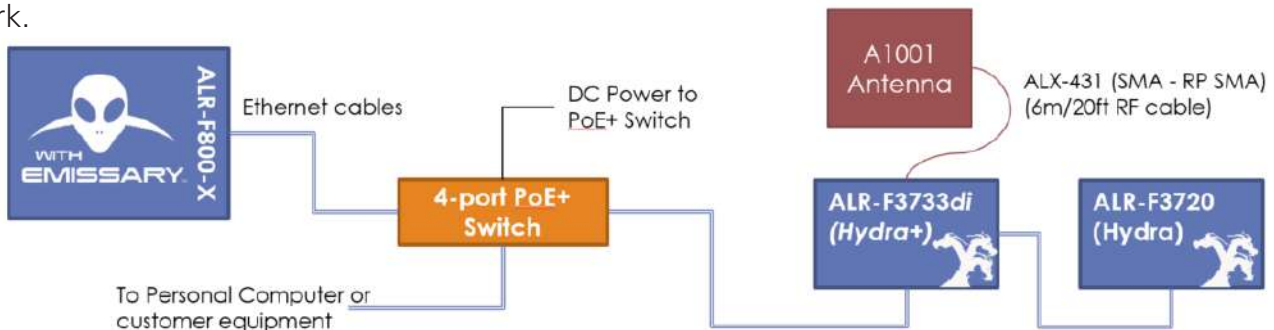
### Two Hydra Products

Hydra current comes in two varieties.

Feature	Hydra (ALR-F3720)	Hydra+ (ALR-F3733di)
Number of PoE Ports	2	3
DC Power Input	No	Yes
Activity LED	Yes	
Reverse Polarity SMA	None	3
Internal 8 dBic antenna	Yes	
Reader	30dBm UHF Passive reader	
GPIO	None	Four 3 to 24V inputs; Four 3 to 24V outputs. 24V DC internally supplied (even when PoE sourced).

### Developers Kit (Currently US Only)

For customers that want to trial with Hydra, Alien offers a Developer Kit that includes one of each Hydra, an ALR-F800-X with Emissary to control them, an antenna and a 4-port PoE switch to power the whole network.





## ALR-F3700 "Hydra" Series

Interconnected Reader/Antenna Combination

### Reader Specifications

Feature	Hydra (ALR-F3720)	Hydra+ (ALR-F3733di)
<b>Air Interface Protocol</b>	GS1/EPC global UHF Gen2 (ISO 18000-6C)	
<b>External Antenna Ports</b>	None	3 Reverse Polarity SMA Female
<b>Supported Regions</b>	FCC (TWYIPJREV), EU (CE Mark, ETSI EN408 208 v1.4.1)	
<b>Transmit Power</b>	30 dBm Nominal	
<b>Application Interfaces</b>	Low level binary protocol, low level reader protocol	
	DII and SDK developer interfaces: C, C++, .Net libraries	
<b>Network Connectivity</b>	10/100BASE-T auto-negotiate (full/half) w/ auto-sensing MDI/MX for auto-crossover	
	2 Standard RJ-45 Ethernet jacks	3 Standard RJ-45 Ethernet jacks
<b>IP Address Configuration</b>	DHCP, Static, or Link Local Addressing (LLA)	
<b>Management Interfaces</b>	Ethernet TCP commands	
<b>Firmware Upgrades</b>	Push from ALR-F800-X or from software management console	
<b>Management</b>	Via ALR-F800-X (Emissary) or a Windows-based GUI	
<b>GPIO</b>	None	Four-3 to 24V inputs; Four-3 to 24V outputs; 24V DC internally supplied power available
<b>Power Sources</b>	Power over Ethernet (PoE) IEEE 802.3at	
	No DC input	Listed/Certified power supply, marked LPS or Class 2, w/ 48Vdc output, rated min 2.5A

### Physical Specifications

Feature	Description
<b>Dimensions (LxWxD):</b>	250 mm x 250 mm x 21 mm
	9.85 in. x 9.85 in. x 0.55 in.
<b>Weight:</b>	0.75kg / 1.6 lbs.
<b>Radome Material:</b>	UV-Resistant ABS
<b>Environmental Rating:</b>	IP53
<b>Operating / Storage Temperature:</b>	-20° to +55°C / -30° to +65°C
	-4° to +131°F / -22° to +149°F
<b>Shock Drop</b>	Mil Std 810G 26 drops @ 48"
<b>Electrical Safety</b>	UL Listed (US and Canada), EN 60950-1:2006 A11:2009 / A1:2010 / A12:2011
<b>Humidity</b>	5-95% Non-Condensing
<b>RoHS</b>	Compliant-European Union directive 2011/65/EU
<b>Mounting:</b>	Flush or VESA mount



## Antenna Specifications

Feature	Description
<b>Frequency Range:</b>	865 – 867 MHz / 902 – 928 MHz (different product SKU's)
<b>Polarization:</b>	RH Circular
<b>Far-field Gain:</b>	8.5 dBic
<b>Far-field 3dB beam width:</b>	68° in both planes
<b>Front to back ratio:</b>	20dB
<b>Axial Ratio:</b>	1dB typical
<b>Mounting:</b>	Flush or VESA mount

## Ordering Information

Device	Mount Type	Description	Model Number
<b>Hydra (US) Reader</b>	Standard flush mount / through hole mount	Low-end Hydra reader/antenna combo with 2 PoE ports	ALR-F3720-USA-S-RDR-ONLY
<b>Hydra+ (US) Reader</b>		High-end Hydra reader/antenna combo with 3 PoE + 3 SMA + DC power in + digital IO	ALR-F3733 <i>di</i> -USA-S-RDR-ONLY
<b>Hydra (US) Reader</b>	VESA 100mm studded mount	Low-end Hydra reader/antenna combo with 2 PoE ports	ALR-F3720-USA-V-RDR-ONLY
<b>Hydra+ (US) Reader</b>		High-end Hydra reader/antenna combo with 3 PoE + 3 SMA + DC power in + digital IO	ALR-F3733 <i>di</i> -USA-V-RDR-ONLY
<b>F800-X and Hydra Developers Kit (US)</b>	Standard flush mount / through hole mount	ALR-F800-X w/Emissary, two Hydra reader/antenna combo's (ALR-F3720-USA-S+ALR-F3733 <i>di</i> -USA-S), ALR-A1001-F-S antenna, ALX-431-6 antenna cable, Ethernet cables (4), 4-port PoE switch, serial cable, micro-SD card and black carry case.	ALR-F8XHYD-DEV-KIT
<b>Antenna cable for Hydra and ALR-A1001 or ALR-A0501 Antenna (or other SMA antenna)</b>		SMA (antenna) to Reverse Polarity SMA (Hydra) Cable - 10ft/3m	ALX-431-3
		SMA (antenna) to Reverse Polarity SMA (Hydra) Cable - 20ft/6m	ALX-431-6
		SMA (antenna) to Reverse Polarity SMA (Hydra) Cable - 30ft/9m	ALX-431-9

NOTE: Currently Hydra is only available in the US. Other regions will be introduced soon.

February 8, 2018

Draft - Subject to Change

Copyright© 2017 Alien Technology, LLC. All rights reserved.

Alien, Alien Technology, the Alien Technology logo, Higgs, Hydra, Hydra logo, Squiggle, and the Squiggle logo are trademarks or registered trademarks of Alien Technology LLC in the U.S. and other countries.

HANDLING PRECAUTIONS Observe standard handling practices to minimize ESD.

DISCLAIMER Application recommendations are guidelines only - actual results may vary and should be confirmed. This is a general purpose product not designed or intended for any specific application.

This product is covered by one or more of the following U.S. patents: 7716208, 7716160, 7688206, 7671720, 7659822, 7619531, 7615479, 7598867, 7580378, 7576656, 7562083, 7561221, 7559486, 7559131, 7554451, 7411503, 7385284, 7377445, 7364084, 7353598, 7342490, 7324061, 7321159, 7301458, 7295114, 7288432, 7265675, 7262686, 7215249, 7214569, 7199527, 7193504, 7173528, 7172910, 7172789, 7141176, 7113250, 7101502, 7080444, 7070851, 7068224, 7046328, 6998644, 6988667, 6985361, 6980184, 6970219, 6952157. Other patents pending.

This product is licensed under patents of Round Rock Research, LLC, for use solely with UHF RFID Readers (such as Alien reader products) that are licensed under an agreement with Round Rock Research, LLC.

